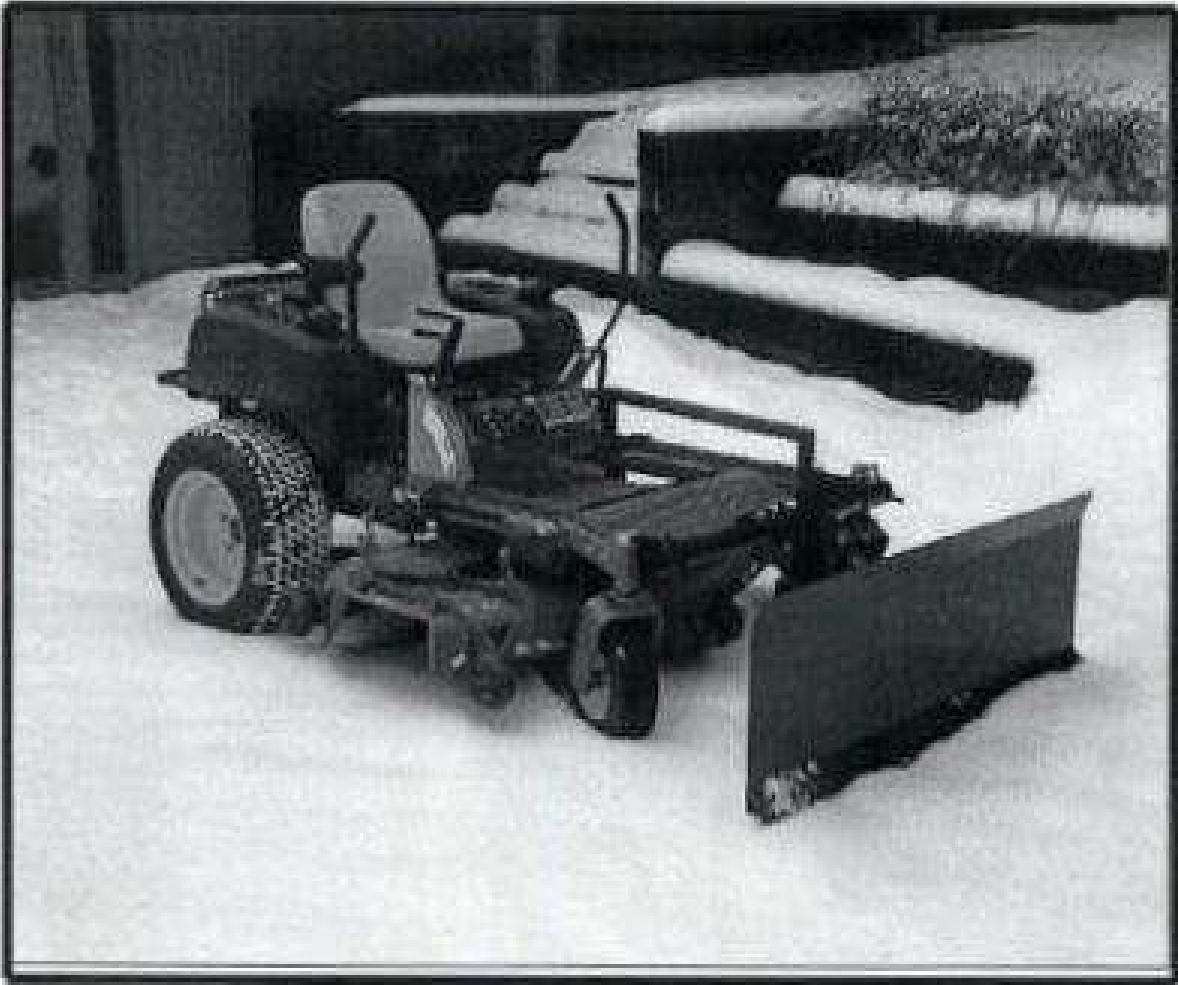


ZTR SNOW BLADE AND MOUNT

- **SP4 – 4' SNOW BLADE**
- **SP5 – 5' SNOW BLADE**



COUNTRY ZTR EQUIPMENT

P.O. BOX 104, 333 SALEM AVE., FREDERICKTOWN, OH 43019

PHONE: 740-694-9926

FAX: 740-694-5088

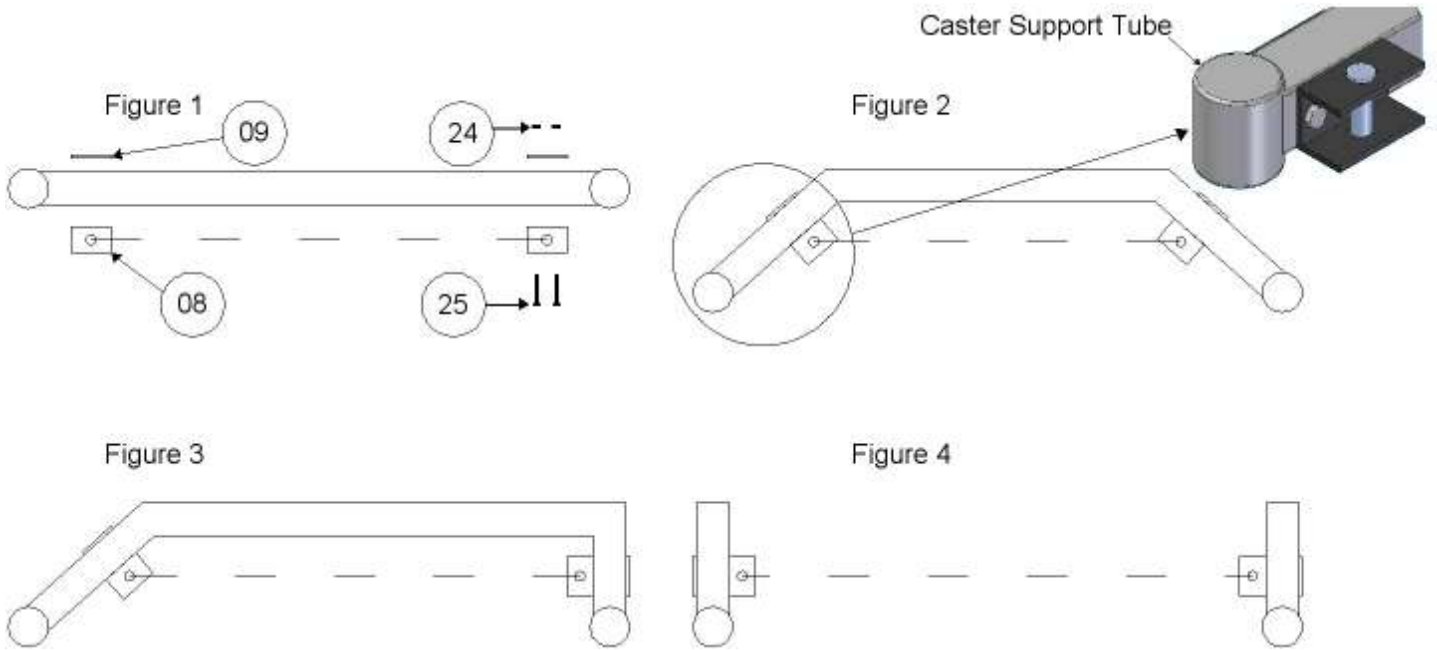
EMAIL: admin@countryztr.com

Assembly Instructions

Step 1.

Snow Blade will mount on these four front types (Figure 1 through 4). Mounting is the same for all types past this step.

Locate and drill holes using front bracket (08) in front of caster support tube on zero turn tractor. Place front bracket (08) close to the end of the bar like shown. Works best when the bracket butts up against the weld of the caster bearing tube. **The maximum distance between the pins is 34.5 inches. Keep pins parallel to the tractor noted by the dotted line.** Mark holes and drill in the center of the caster support tube.



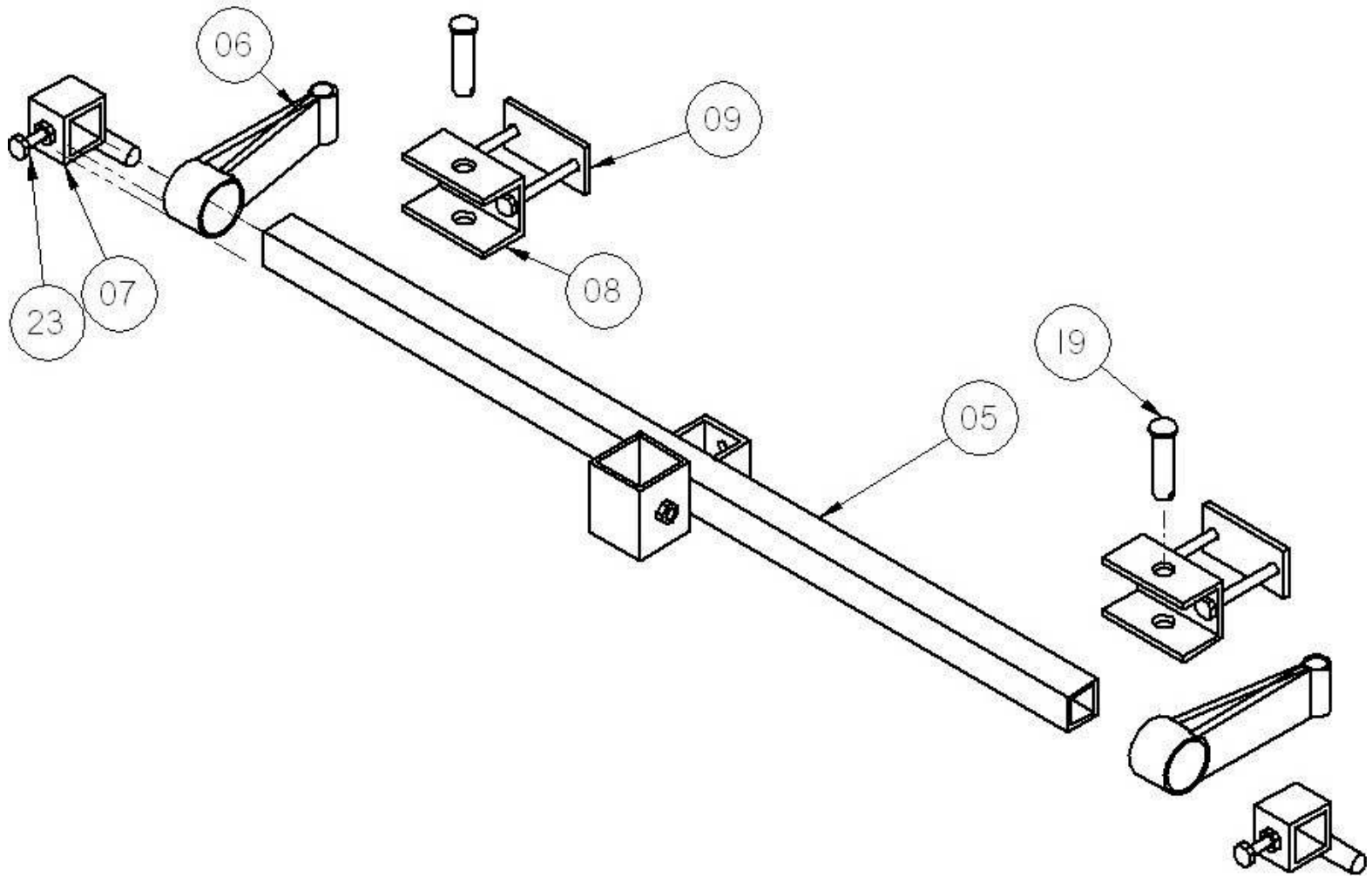
Step 2.

Secure front brackets (08) and back plates (09) as shown. Use bolts (24) and lock nuts (25).



Step 3.

Place side supports (06) into front brackets (08). Secure with connector pins (19) and linch pins (26).



Slide universal mount (05) into support brackets (06).

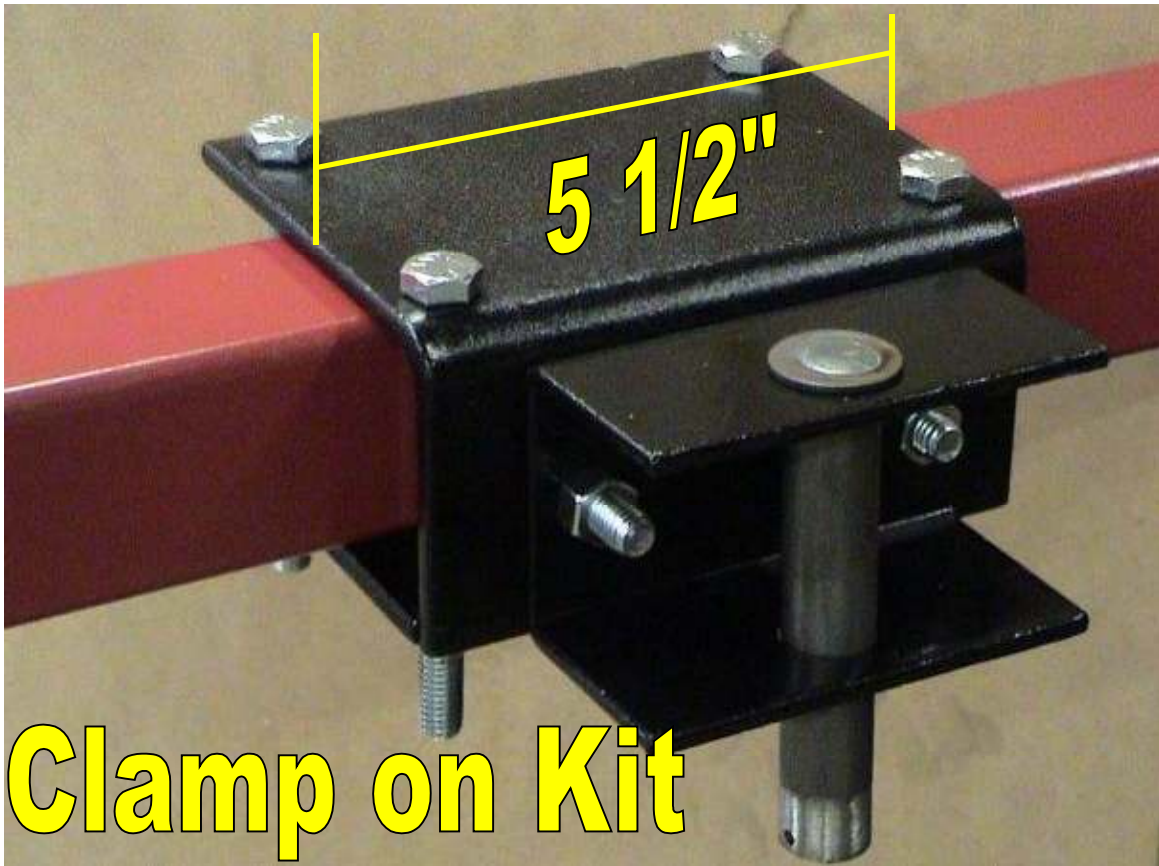
Slide Anti-Rotate collar (07) onto ends of universal mount (05). Anti-rotate pins should rest underneath side support when center on universal mount (05) parallel to the ground.

Insert bolt (23) into collar (07) and loosely tighten. Repeat for opposite side.

See next page for finished picture.



Bolt on Kit



5 1/2"

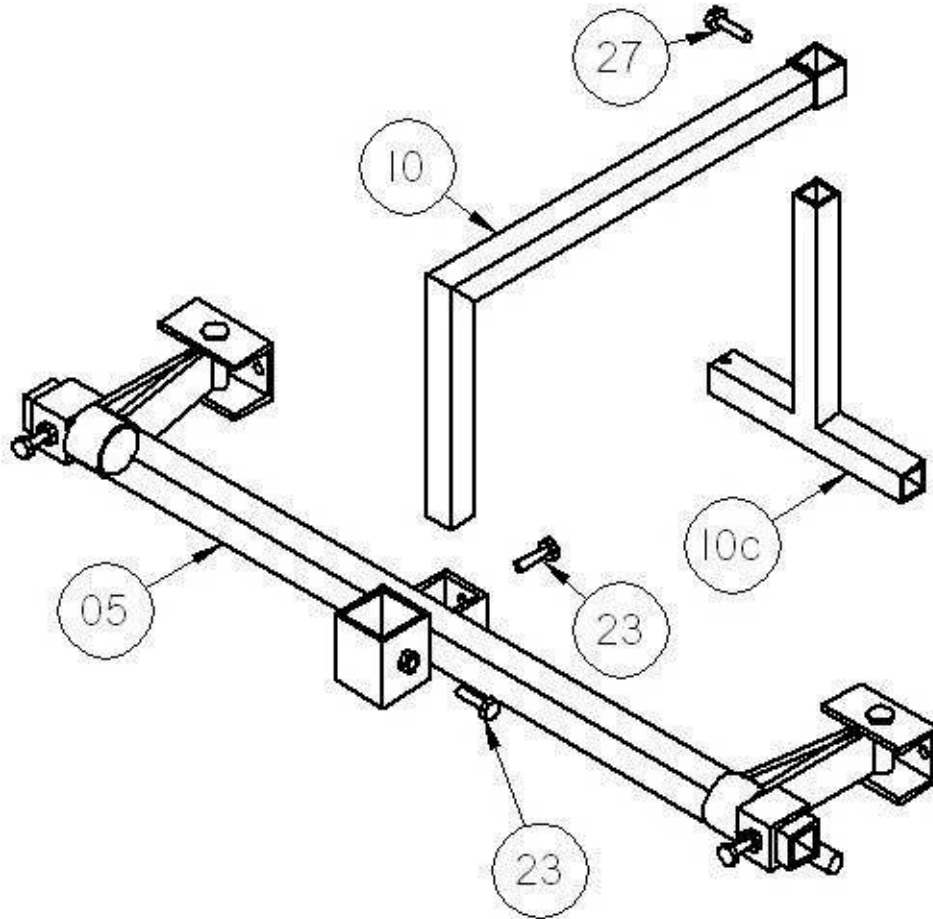
Clamp on Kit

Figure 5:

Step 4. Figure 5

Attach foot bar (10c) to foot lift (10) using bolt (27) and nut.

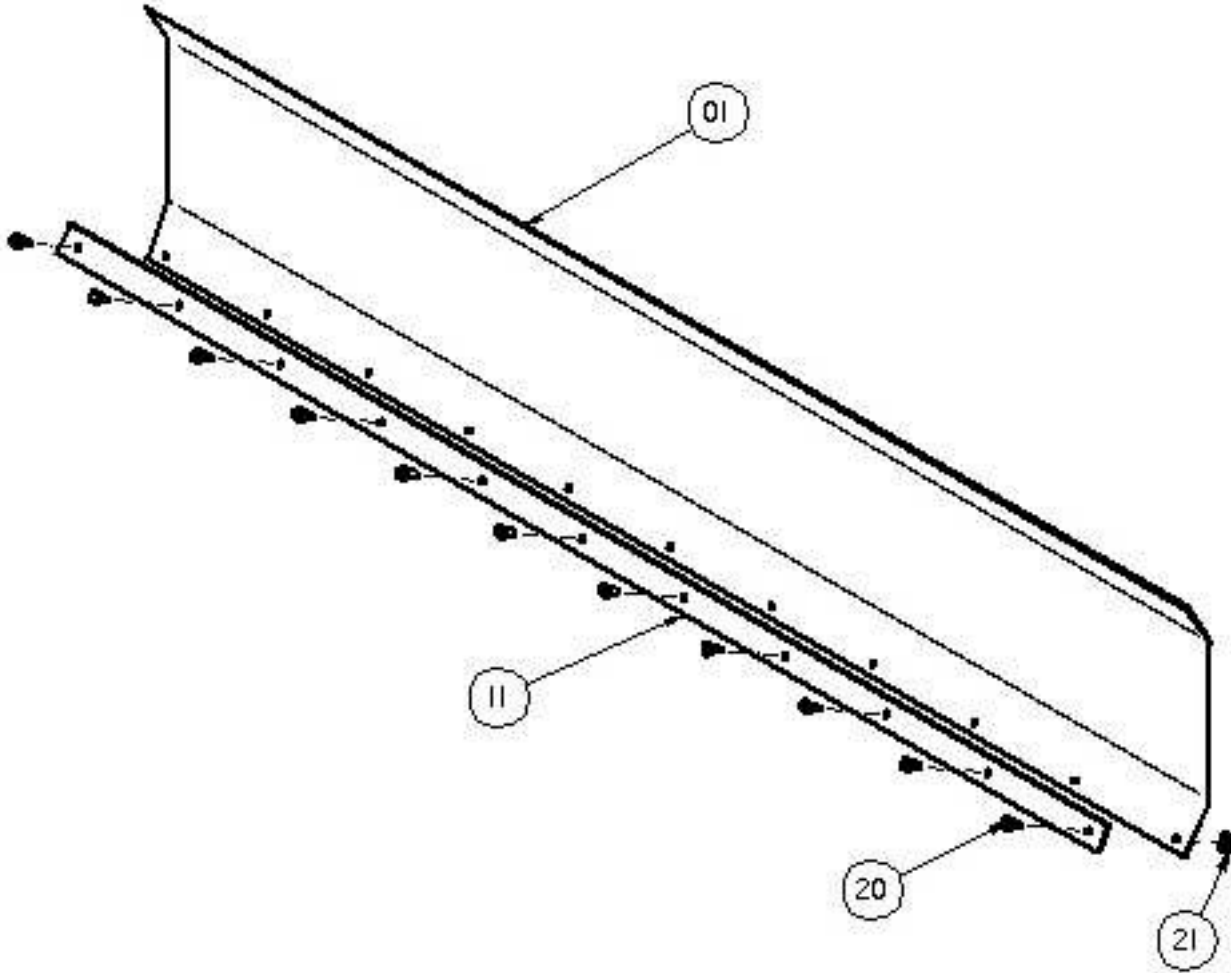
Insert foot lift into rear opening of universal mount (05). Then secure using bolt (23).



Step 5. Figure 6

Attach wear strip (11) to the front of the snow blade (01). Use bolts (20 and lock nuts (21).

Figure 6:



Step 6. Figure 7

Attach springs (18) to snow blade (01). Next attach springs (18) to pivot plate (02).

NOTE: Use the holes on the side of the pivot plate.

Attach pivot plate to snow blade (01). Use blade pivot rod (13) and hairpin (22).

Caution: Springs will be under some load and will require some force to install pivot pin.

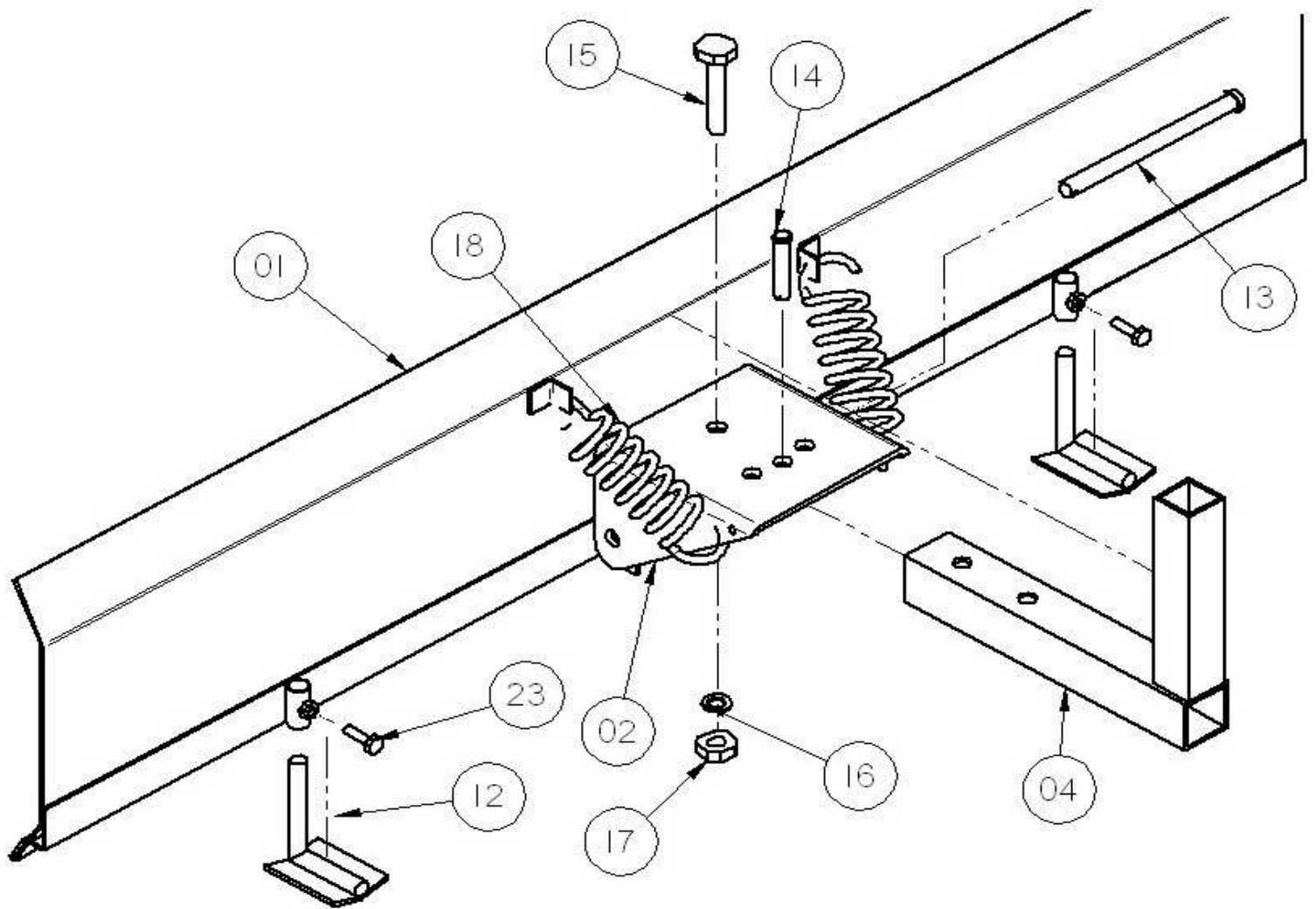
Step 7. Figure 7

Attach support tube (04) to pivot plate (02). Use bolt (15), lock washer (16), nut (17), handle pivot pin (22) as shown.

Attach glide (12) using bolt (23).

See next page for picture.

Figure 7:

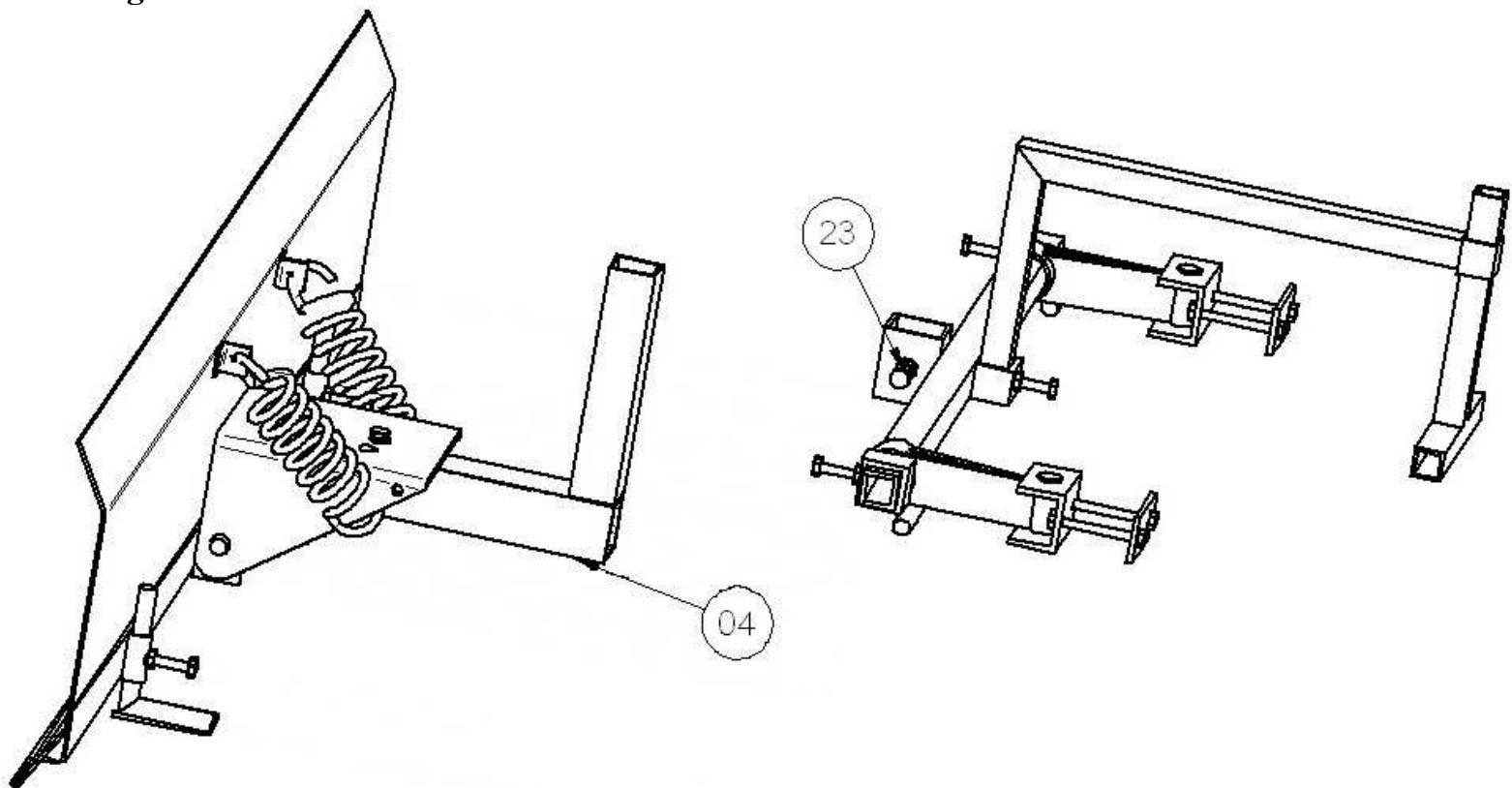


Step 8. Figure 8

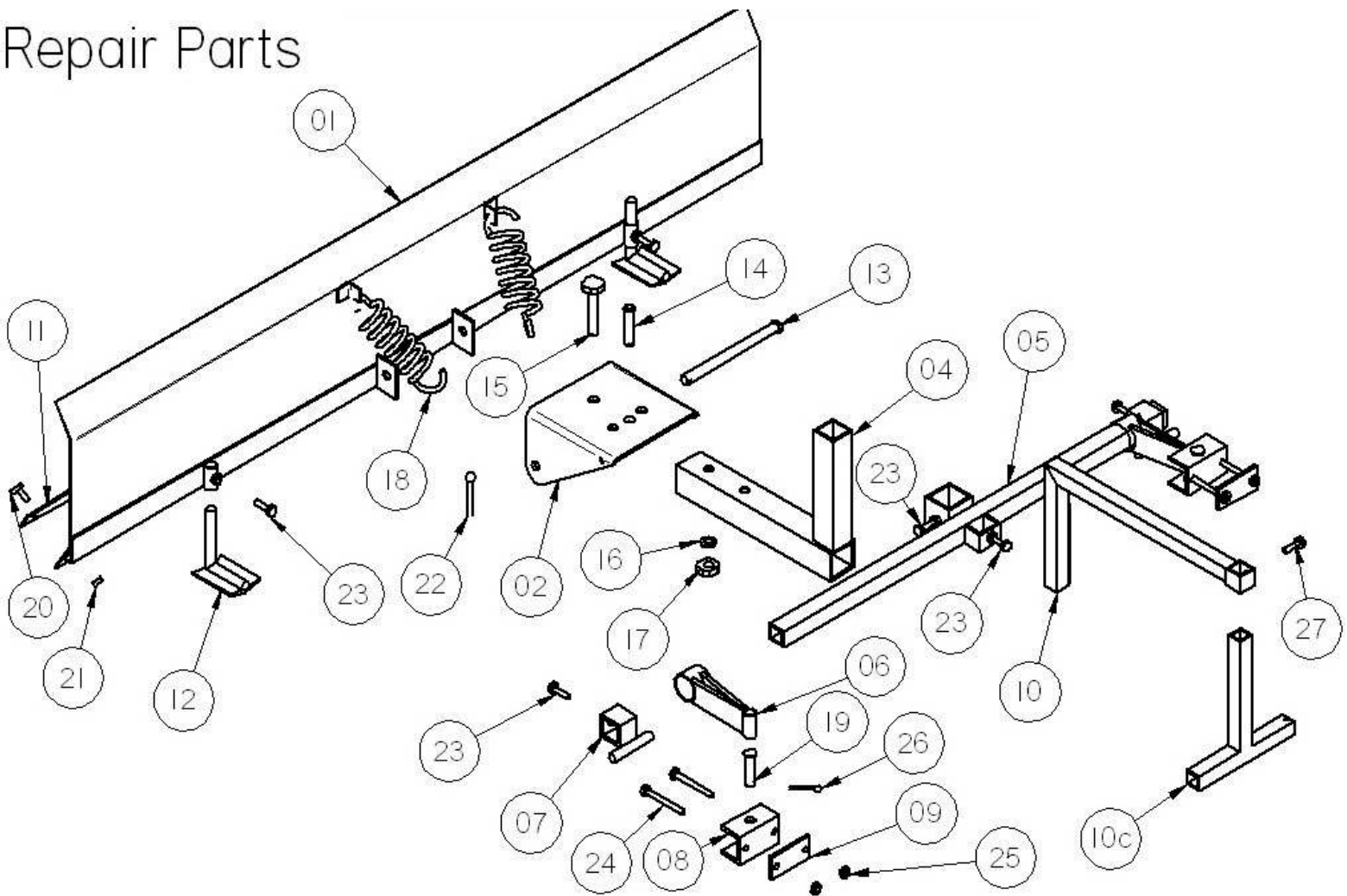
Insert adjustment tube (04) into the front opening of universal mount (05). Then secure using bolt (23).

Adjust assembly to desired height and tighten all bolts.

Figure 8:



Repair Parts



Item Number	Part Number	Part Description	Quantity	Item Number	Part Number	Part Description	Quantity
01	SBX-01	Snow Blade	1	14	SB4-14	Handle Pivot Pin	1
02	SB4-02	Pivot Plate	1	15	SB4-15	Hex Bolt 3/4" x 4"	1
04	SB4-04	Adjustment Tube	1	16	SB4-16	Lock Washer 3/4"	1
05	SB4-05	Universal Mount Bar	1	17	SB4-17	Hex Nut 3/4"	1
06	SB4-06	Side Support Bracket	2	18	SB4-18	Blade Spring 9-1/2"	2
07	SB4-07	Anti-Rotate Collar	2	19	SB4-19	3/4" Connector Pin	2
08	SB4-08	C - Bracket	2	20	SB4-20	Hex Bolt 5/16" x 3/4"	9
09	SB4-09	Backing Plate	2	21	SB4-21	Lock Nut 5/16"	9
10	SB4-10	Foot Lift	1	22	SB4-22	Hair Pin	2
10c	SB4-10c	Foot Bar	1	23	SB4-23	Hex Bolt 1/2"-13 x 1-1/2"	9
11	SBX-11	Wear Strip	1	24	SB4-24	Hex Bolt 3/8"-16 x 4"	4
12	SB4-12	Guide	2	25	SB4-25	Lock Nut 3/8"	5
13	SB4-13	Blade Pivot Rod	1	26	SB4-26	Linch Pin 1/4"DIA. x 1-9/16"	2
				27	SB4-27	Hex Bolt 3/8"-16 x 1-3/4"	1

NOTE: (X) stands for 4 or 5, which is the length in feet.

PRODUCT WARRANTY:

Country ZTR Equipment will, at its option, replace or repair without charge to the original purchases. Any part or parts manufactured by it and found, upon examination, to be DEFECTIVE IN MATERIAL AND/OR WORKMANSHIP if received for such examination within 90 days from the date of original purchase.

Damages resulting from accident, abuse, or neglect are conditions under which warranty cannot be claimed. Nor will warranty apply to damage resulting from failure to follow the manufacturer's instructions for operation and maintenance nor from the improper selections of a particular application.

All transportation charges on, and damage and loss incurred in connection with the transportation of parts submitted for replacement or repair under this WARRANTY shall be borne by the purchaser.

No other warranties, guarantees or liabilities, either implied or expressed, will be the responsibility of Country Manufacturing, Inc.