

**TUFF-WAGON  
MODEL 7340ATV  
OWNER MANUAL**



**Country Manufacturing, Inc.**

P.O. Box 104

Fredericktown, OH 43019

PH: 740-694-9926

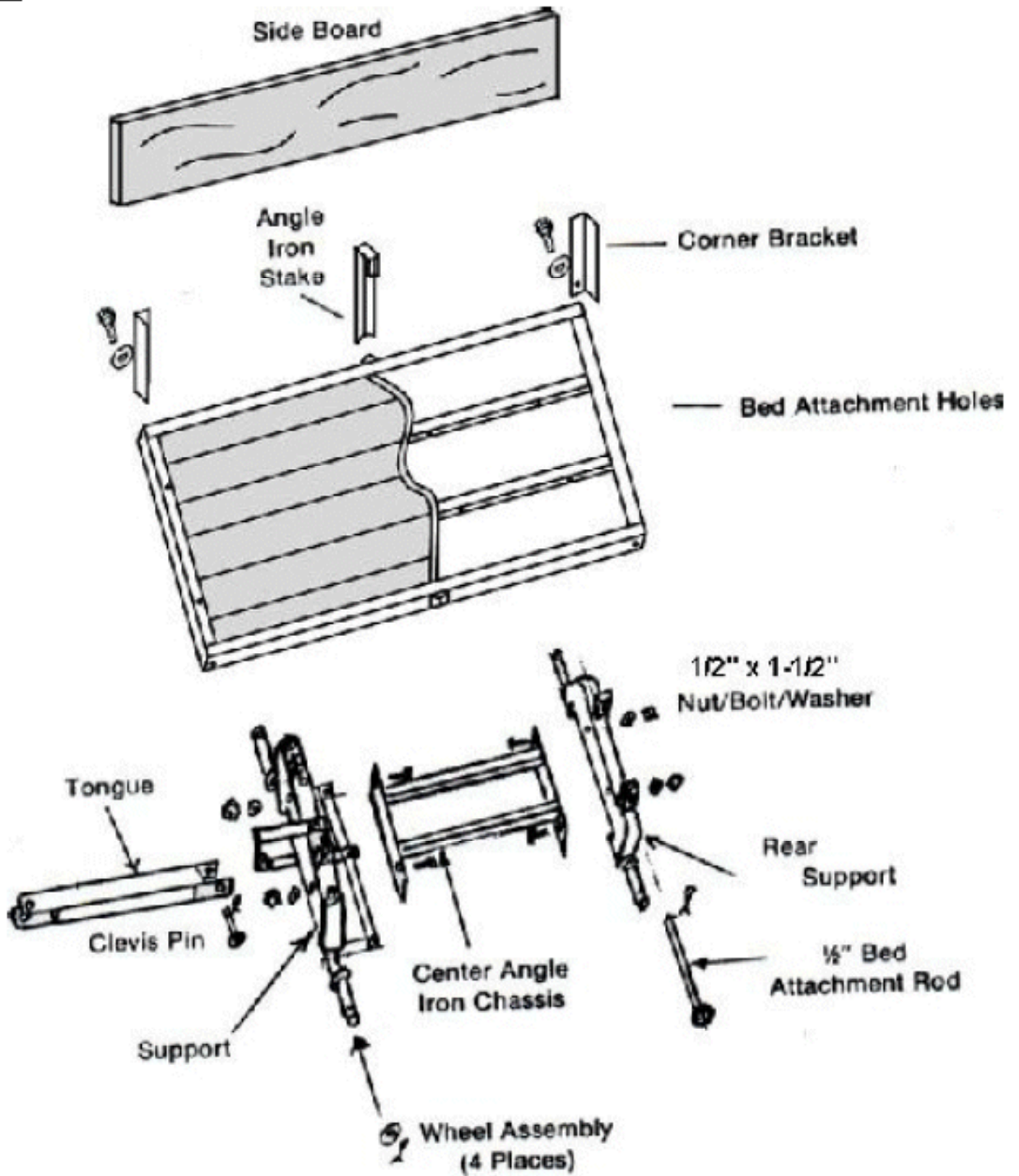
FAX: 740-694-5088

## I. INTRODUCTION

The Model 7340ATV Tuff-Wagon is designed for rugged use and versatility. The sideboards are removable from any side allowing unloading from any of the four sides. By removing the four corner stakes the wagon can be converted into a flatbed.

## II. ASSEMBLY INSTRUCTIONS

**FIG. 1**



### TOOLS REQUIRED

3/4" wrench  
1/2" wrench  
5/8" wrench  
Pliers

### **CHASSIS ASSEMBLY** (Refer to FIG 1)

1. Attach the front and rear support members to center angle iron chassis as shown in figure 1 using six (6) each 1/2" x 1 1/2" bolts, 1/2" nuts, and 1/2" lock washers. Firmly tighten.
2. Attach tongue to front steering yoke by aligning the holes located on the tongue with the steering yoke busing tube and inserting the 5/8" clevis pin. Install a 1/8" cotter pin thru the clevis pinhole to secure in place.
3. Slide each of the four (4) wheels onto the 1" axle stubs. Install 1" flat washers. Insert a 1/4" cotter pin into each axle stub to secure the wheels.
4. Bearing are sealed and do not require greasing.

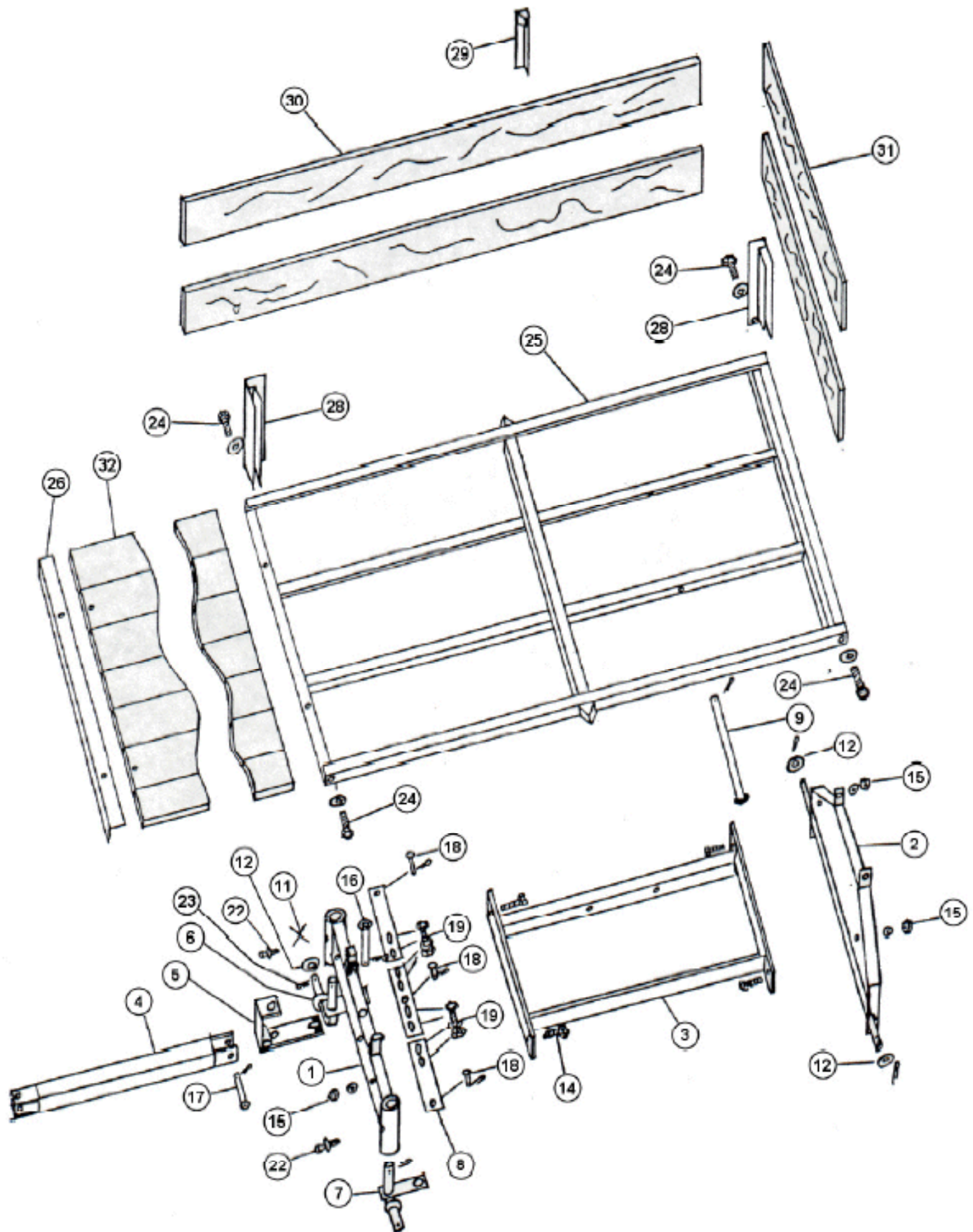
### **BED ASSEMBLY** (Refer to FIG 1)

1. While holding bed between uprights on the chassis align the pivot holes located at rear on the angle iron runners on the bottom side of the bed with the two holes on the upright of the rear axle holder. Once aligned, insert the 1/2" rod through the axle holder and bed holes allowing the bed to pivot. Install cotter pin thru hole in 1/2" rod.
2. Install the four bed corners brackets by removing the four bolts located at each corner of the bed and reinserting through the holes of each bracket. Firmly secure using a 5/8" wrench.
3. Install the eight 1" x 6" wood boards by inserting each into the grooves at each corner stake. Install the two middle angle iron stakes into the pockets located midway on the side rails while hooking the top over the sideboard.

### **MAINTENANCE**

1. Unloading can be accomplished from any side of the wagon by removing the desired sideboard.
2. Wheels have sealed bearings for long life and do not require greasing.

# EXPLODED VIEW MODEL 7340ATV TUFF-WAGON



# PARTS LIST

## MODEL 7340ATV TUFF-WAGON

ITEM NO	DESCRIPTION	PART NO	QTY / UNIT
1	Front Chassis	3001	1
2	Rear Chassis	3002	1
3	Chassis Connector Frame	3003	1
4	Tongue Assembly	3004	1
5	Steering Yoke	3005	1
6	Right Wheel Spindle	3006	1
7	Left Wheel Spindle	3007	1
8	Steering Tie Rod	3008	1
9	Bed Attachment Clevis Pin	3009	1
11	Wheel / Tire Assembly (20 x 10-8)	3011	4
12	1" Flat Washer	3012	4
14	1/2 x 1 1/2 Grade 5 Bolt	3014	6
15	1/2 Nut/Washer	3015	6
16	Steering Yoke Clevis Pin	3016	1
17	Tongue Attachment Clevis Pin	3017	1
18	Tie Rod Clevis Pin	3018	3
19	5/16 Bolt, Nut, Washer Assembly	3019	4
22	Grease Fitting	3022	2
23	1/4" Cotter Pin	3023	4
24	7/16" Corner Stake Bolt, Nut, Washer	3024	4
25	Bed Frame	3025	1
26	Bed Frame Front Angle	3026	1
27	Right Corner Post	3027	2
28	Left Corner Post	3028	2
29	Side Support Stake	3029	2
30	Side Board	3030	4
31	End Board	3031	4
32	Floor Board	3032	7

**NOTE:** Above parts can be obtained at your local dealer or by contacting the manufacturer as follows.



**Country Manufacturing, Inc.**

P.O. Box 104

Fredericktown, OH 43019

PH: 740-694-9926

FAX: 740-694-5088

## **WARRANTY POLICY**

Country Manufacturing, Inc., will, at its option, replace or repair, without charge to the original purchaser any part or parts manufactured by it and found upon examination, to be DEFECTIVE IN MATERIAL AND/OR WORKMANSHIP if received for such examination within 90 days from date of original purchase.

Damage resulting from accident, abuse or neglect are conditions under which warranty cannot be claimed. Nor will warranty apply to damage resulting from failure to follow the Manufacturer's instruction for operation and maintenance nor from the improper selection of a particular application.

All transportation charges on, and damages and loss incurred in connection with the transportation of, parts submitted for replacement or repair under this WARRANTY shall be borne by the purchaser.

No other warranties, guarantees, or liabilities, either implied or expressed, will be the responsibility of Country Manufacturing, Inc.