

TOOLS REQUIRED

- 7/16" WRENCH AND SOCKET
- 9/16" WRENCH AND SOCKET
- PLIERS

SAFETY INSTRUCTION

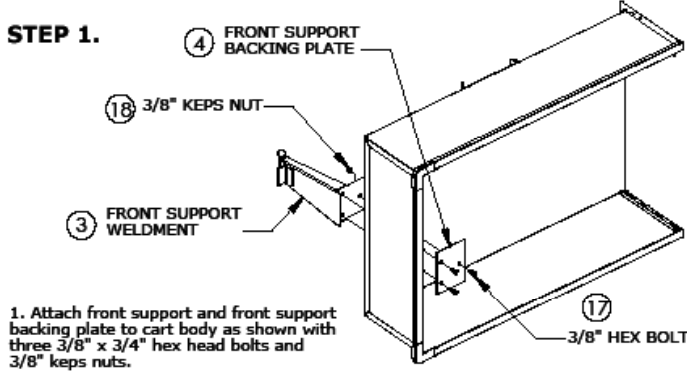
DO NOT CARRY PASSENGERS IN CART.
 DO NOT TOW CART ON PUBLIC ROADS.
 NEVER EXCEED LOAD CAPACITY - 1500LBS.
 AVOID SUDDEN TURNS OR MANEUVERS.
 WHEN OPERATING ON SLOPES, USE LOWEST
 GROUND SPEED AND LIMIT LOAD TO 200LBS.
 OPERATE UP AND DOWN SLOPES, NEVER
 ACROSS THE FACE.

MAINTENANCE

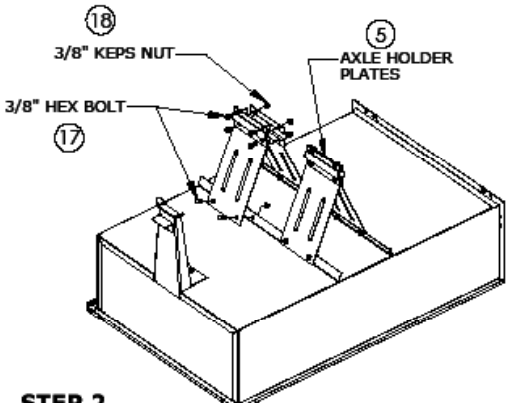
CHECK TIRE PRESSURE REGULARLY.
 PERIODICALLY CHECK ALL BOLTS.
 KEEP CART CLEAN TO PREVENT RUST.
 STORE INSIDE A CLEAN DRY AREA.

| CARTON CONTENTS | | |
|-------------------|------|-------------------------------|
| REF. NO. | QTY. | DESCRIPTION |
| 1 | 1 | CART BODY |
| 2 | 1 | TAIL GATE |
| 3 | 1 | FRONT SUPPORT |
| 4 | 1 | FRONT SUPPORT BACKING PLATE |
| 5 | 4 | AXLE HOLDER PLATES |
| 5 | 1 | LATCH ARM |
| 7 | 1 | AXLE |
| 8 | 2 | ATV TIRES |
| 12 | 1 | DRAWBAR ASSEMBLY |
| 15 | 1 | HITCH BRACKET |
| 50 | 1 | ASSEMBLY MANUAL |
| 60 | 1 | HARDWARE BAG |
| BOLT BAG CONTENTS | | |
| 13 | 2 | 1" AXLE WASHERS |
| 14 | 2 | COTTER PINS 1/8" X 1 1/2" |
| 15 | 2 | AXLE SPACERS |
| 17 | 21 | 3/8"-16 X 3/4" HEX HEAD BOLTS |
| 18 | 21 | 3/8"-16 KEPS NUTS |
| 30 | 1 | HITCH PIN |
| 31 | 1 | HITCH PIN COTTER |

STEP 1.

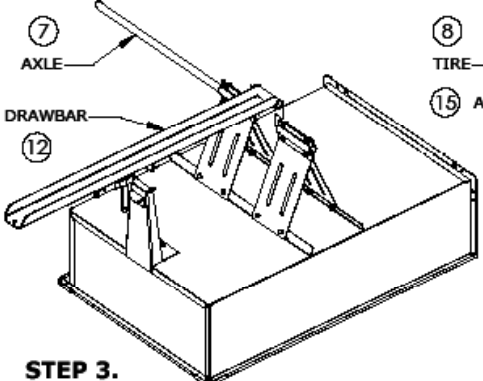


1. Attach front support and front support backing plate to cart body as shown with three 3/8" x 3/4" hex head bolts and 3/8" keps nuts.



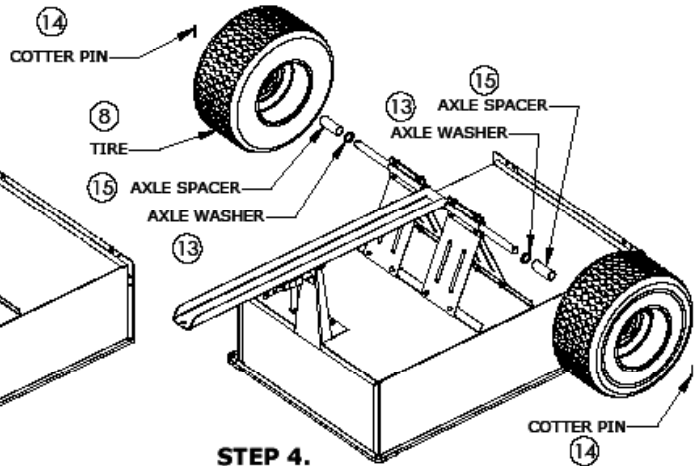
STEP 2.

2. Loosely attach the four axle holder plates with the 3/8" x 3/4" hex head bolts provided. NOTE: these bolts will be tightened after axle and wheels are installed in a later step.



STEP 3.

3. Center drawbar tube between axle holder plates and insert axle, making sure to center axle so that wheels can be put on in the next step.

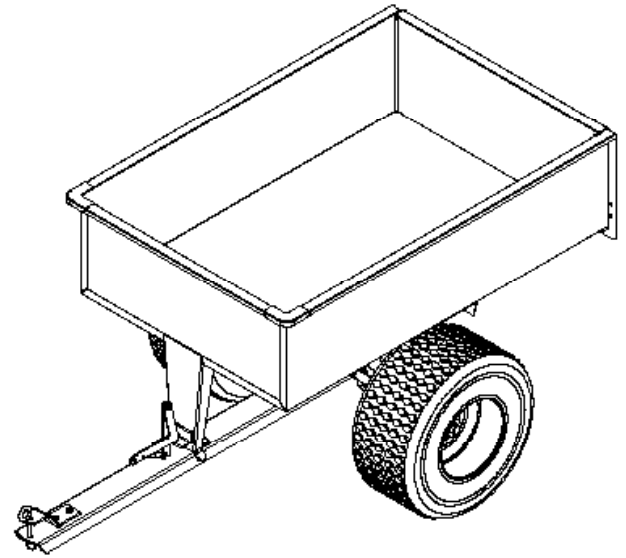
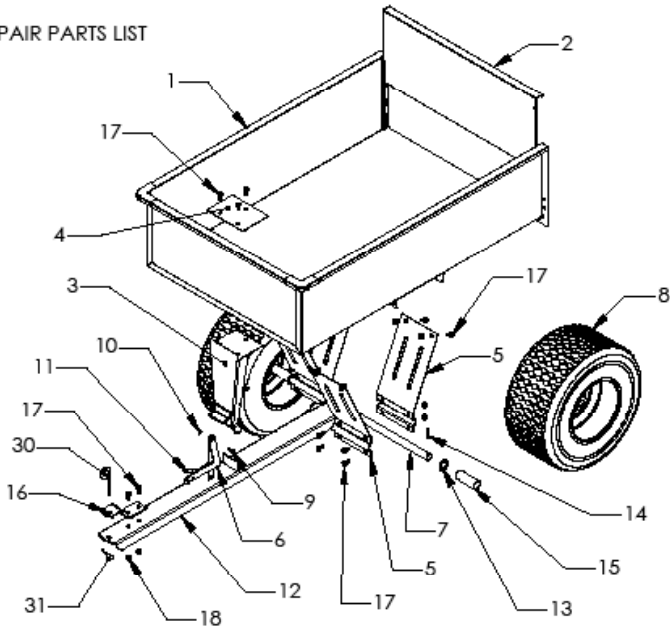


STEP 4.

4. Slide axle washer and axle spacer over each side of axle as shown. Add wheels making sure valve stem faces out. Insert cotter pin in axle and lock in place by spreading ends. Turn cart upright and add tailgate.

5. Refer to repair parts list below. Attach hitch bracket to drawbar with two 3/8" x 3/4" hex bolts and keps nuts as shown. Insert hitch pin and lock in place with hairpin provided.

REPAIR PARTS LIST



20 CU. FT. HEAPED CAPACITY
ALL TERRAIN CART
ASSEMBLY MANUAL AND PARTS LIST

| REF. NO. | PART NO. | QTY. | DESCRIPTION | REF. NO. | PART NO. | QTY. | DESCRIPTION |
|----------|-------------|------|----------------------|----------|--------------|------|----------------|
| 1 | 3460HATV-1 | 1 | CART BODY | 13 | 3480HATV-13 | 2 | WHEEL ASSEMBLY |
| 2 | 3460HATV-2 | 1 | TAILGATE | 14 | 3480HATV-14 | 2 | TIRE 18" X 11" |
| 3 | 3460HATV-3 | 1 | FRONT SUPPORT | 15 | 3480HATV-15 | 2 | WHEEL ASSEMBLY |
| 4 | 3460HATV-4 | 1 | FRONT SUPPORT PLATE | 16 | 3480HATV-16 | 1 | WHEEL ASSEMBLY |
| 5 | 3460HATV-5 | 4 | AXLE LOCK PLATE | 17 | 3480HATV-17 | 21 | WHEEL ASSEMBLY |
| 6 | 3460HATV-6 | 1 | LATCH ARM | 18 | 3480HATV-18 | 21 | WHEEL ASSEMBLY |
| 7 | 3460HATV-7 | 1 | AXLE 1" DIA. | 19 | 3480HATV-19 | 21 | WHEEL ASSEMBLY |
| 8 | 3460HATV-8 | 2 | WHEEL | 20 | 3480HATV-20 | 1 | HITCH PIN |
| 9 | 3460HATV-9 | 1 | BOLT 1/2" X 3/4" HEX | 21 | 3480HATV-21 | 1 | HITCH PIN |
| 10 | 3460HATV-10 | 1 | WHEEL LOCK NUT | 22 | 3480HATV-22 | 1 | HITCH PIN |
| 11 | 3460HATV-11 | 1 | LATCH SPRING | 23 | 3480HATV-23 | 1 | HITCH PIN |
| 12 | 3460HATV-12 | 1 | DRAWBAR | 24 | 3480HATV-24 | 1 | HITCH PIN |
| | | | | 25 | 3480HATV-25 | 1 | HITCH PIN |
| | | | | 26 | 3480HATV-26 | 1 | HITCH PIN |
| | | | | 27 | 3480HATV-27 | 1 | HITCH PIN |
| | | | | 28 | 3480HATV-28 | 1 | HITCH PIN |
| | | | | 29 | 3480HATV-29 | 1 | HITCH PIN |
| | | | | 30 | 3480HATV-30 | 1 | HITCH PIN |
| | | | | 31 | 3480HATV-31 | 1 | HITCH PIN |
| | | | | 32 | 3480HATV-32 | 1 | HITCH PIN |
| | | | | 33 | 3480HATV-33 | 1 | HITCH PIN |
| | | | | 34 | 3480HATV-34 | 1 | HITCH PIN |
| | | | | 35 | 3480HATV-35 | 1 | HITCH PIN |
| | | | | 36 | 3480HATV-36 | 1 | HITCH PIN |
| | | | | 37 | 3480HATV-37 | 1 | HITCH PIN |
| | | | | 38 | 3480HATV-38 | 1 | HITCH PIN |
| | | | | 39 | 3480HATV-39 | 1 | HITCH PIN |
| | | | | 40 | 3480HATV-40 | 1 | HITCH PIN |
| | | | | 41 | 3480HATV-41 | 1 | HITCH PIN |
| | | | | 42 | 3480HATV-42 | 1 | HITCH PIN |
| | | | | 43 | 3480HATV-43 | 1 | HITCH PIN |
| | | | | 44 | 3480HATV-44 | 1 | HITCH PIN |
| | | | | 45 | 3480HATV-45 | 1 | HITCH PIN |
| | | | | 46 | 3480HATV-46 | 1 | HITCH PIN |
| | | | | 47 | 3480HATV-47 | 1 | HITCH PIN |
| | | | | 48 | 3480HATV-48 | 1 | HITCH PIN |
| | | | | 49 | 3480HATV-49 | 1 | HITCH PIN |
| | | | | 50 | 3480HATV-50 | 1 | HITCH PIN |
| | | | | 51 | 3480HATV-51 | 1 | HITCH PIN |
| | | | | 52 | 3480HATV-52 | 1 | HITCH PIN |
| | | | | 53 | 3480HATV-53 | 1 | HITCH PIN |
| | | | | 54 | 3480HATV-54 | 1 | HITCH PIN |
| | | | | 55 | 3480HATV-55 | 1 | HITCH PIN |
| | | | | 56 | 3480HATV-56 | 1 | HITCH PIN |
| | | | | 57 | 3480HATV-57 | 1 | HITCH PIN |
| | | | | 58 | 3480HATV-58 | 1 | HITCH PIN |
| | | | | 59 | 3480HATV-59 | 1 | HITCH PIN |
| | | | | 60 | 3480HATV-60 | 1 | HITCH PIN |
| | | | | 61 | 3480HATV-61 | 1 | HITCH PIN |
| | | | | 62 | 3480HATV-62 | 1 | HITCH PIN |
| | | | | 63 | 3480HATV-63 | 1 | HITCH PIN |
| | | | | 64 | 3480HATV-64 | 1 | HITCH PIN |
| | | | | 65 | 3480HATV-65 | 1 | HITCH PIN |
| | | | | 66 | 3480HATV-66 | 1 | HITCH PIN |
| | | | | 67 | 3480HATV-67 | 1 | HITCH PIN |
| | | | | 68 | 3480HATV-68 | 1 | HITCH PIN |
| | | | | 69 | 3480HATV-69 | 1 | HITCH PIN |
| | | | | 70 | 3480HATV-70 | 1 | HITCH PIN |
| | | | | 71 | 3480HATV-71 | 1 | HITCH PIN |
| | | | | 72 | 3480HATV-72 | 1 | HITCH PIN |
| | | | | 73 | 3480HATV-73 | 1 | HITCH PIN |
| | | | | 74 | 3480HATV-74 | 1 | HITCH PIN |
| | | | | 75 | 3480HATV-75 | 1 | HITCH PIN |
| | | | | 76 | 3480HATV-76 | 1 | HITCH PIN |
| | | | | 77 | 3480HATV-77 | 1 | HITCH PIN |
| | | | | 78 | 3480HATV-78 | 1 | HITCH PIN |
| | | | | 79 | 3480HATV-79 | 1 | HITCH PIN |
| | | | | 80 | 3480HATV-80 | 1 | HITCH PIN |
| | | | | 81 | 3480HATV-81 | 1 | HITCH PIN |
| | | | | 82 | 3480HATV-82 | 1 | HITCH PIN |
| | | | | 83 | 3480HATV-83 | 1 | HITCH PIN |
| | | | | 84 | 3480HATV-84 | 1 | HITCH PIN |
| | | | | 85 | 3480HATV-85 | 1 | HITCH PIN |
| | | | | 86 | 3480HATV-86 | 1 | HITCH PIN |
| | | | | 87 | 3480HATV-87 | 1 | HITCH PIN |
| | | | | 88 | 3480HATV-88 | 1 | HITCH PIN |
| | | | | 89 | 3480HATV-89 | 1 | HITCH PIN |
| | | | | 90 | 3480HATV-90 | 1 | HITCH PIN |
| | | | | 91 | 3480HATV-91 | 1 | HITCH PIN |
| | | | | 92 | 3480HATV-92 | 1 | HITCH PIN |
| | | | | 93 | 3480HATV-93 | 1 | HITCH PIN |
| | | | | 94 | 3480HATV-94 | 1 | HITCH PIN |
| | | | | 95 | 3480HATV-95 | 1 | HITCH PIN |
| | | | | 96 | 3480HATV-96 | 1 | HITCH PIN |
| | | | | 97 | 3480HATV-97 | 1 | HITCH PIN |
| | | | | 98 | 3480HATV-98 | 1 | HITCH PIN |
| | | | | 99 | 3480HATV-99 | 1 | HITCH PIN |
| | | | | 100 | 3480HATV-100 | 1 | HITCH PIN |

* denotes standard hardware item, can be purchased locally.

CAUTION:
READ AND FOLLOW
ALL SAFETY RULES
AND INSTRUCTIONS
BEFORE USING
THIS EQUIPMENT.

Distributed By
Country Manufacturing, Inc.
www.countrymanufacturing.com
1-800-335-1880